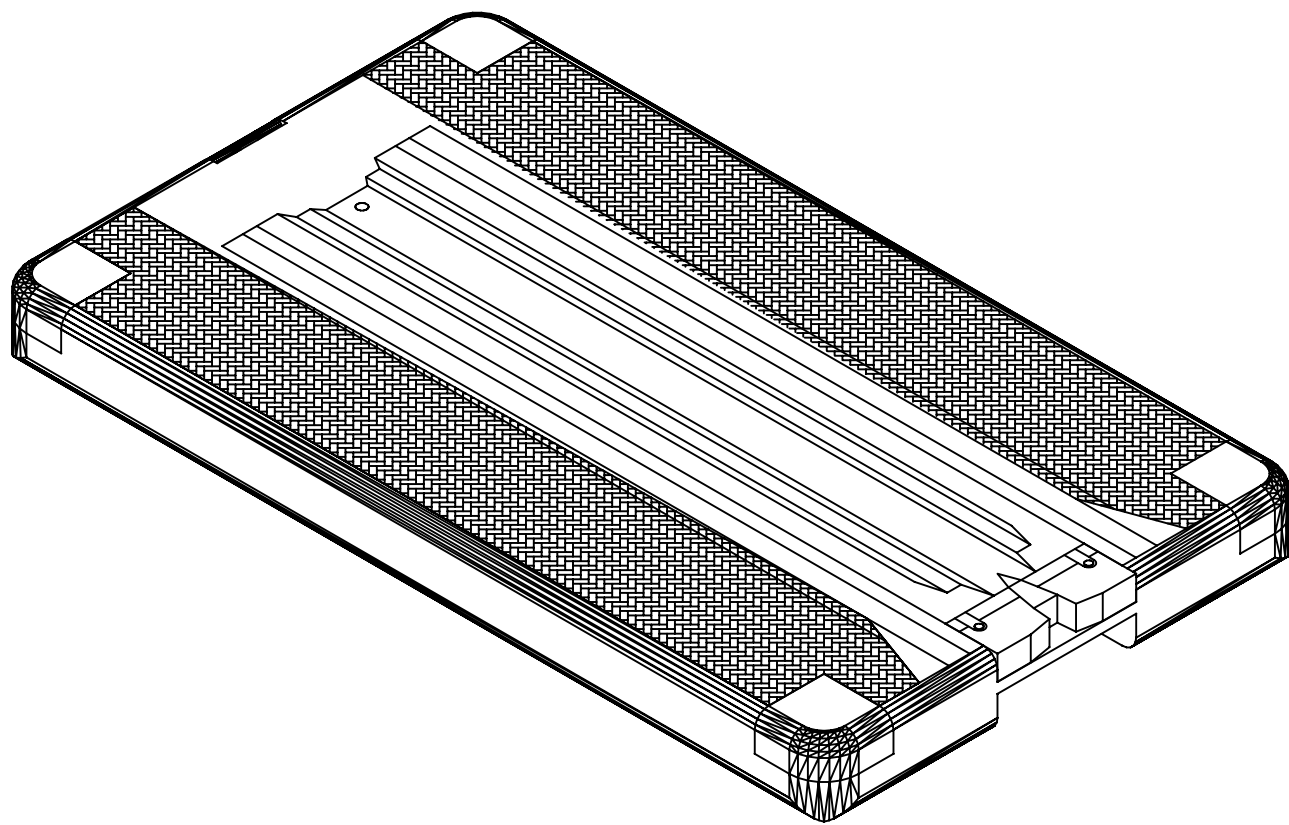


Z:\HEG\2005\05-065 DOCK DRAWINGS\05-065.01 CW JET-T\RETREAT 10-24-08\_1\_1\_4169\_recover\_recover.dwg, RETREAT, 6/1/2009 4:19:40 PM, darence, 1:1



STRUCTURAL PLUGS



JUMBO JET-T CORNER PIECE



THE RETREAT



463 LONG POINT ROAD, MT. PLEASANT, SC 26464  
PHONE (803) 884-4832 FAX (803) 884-1359